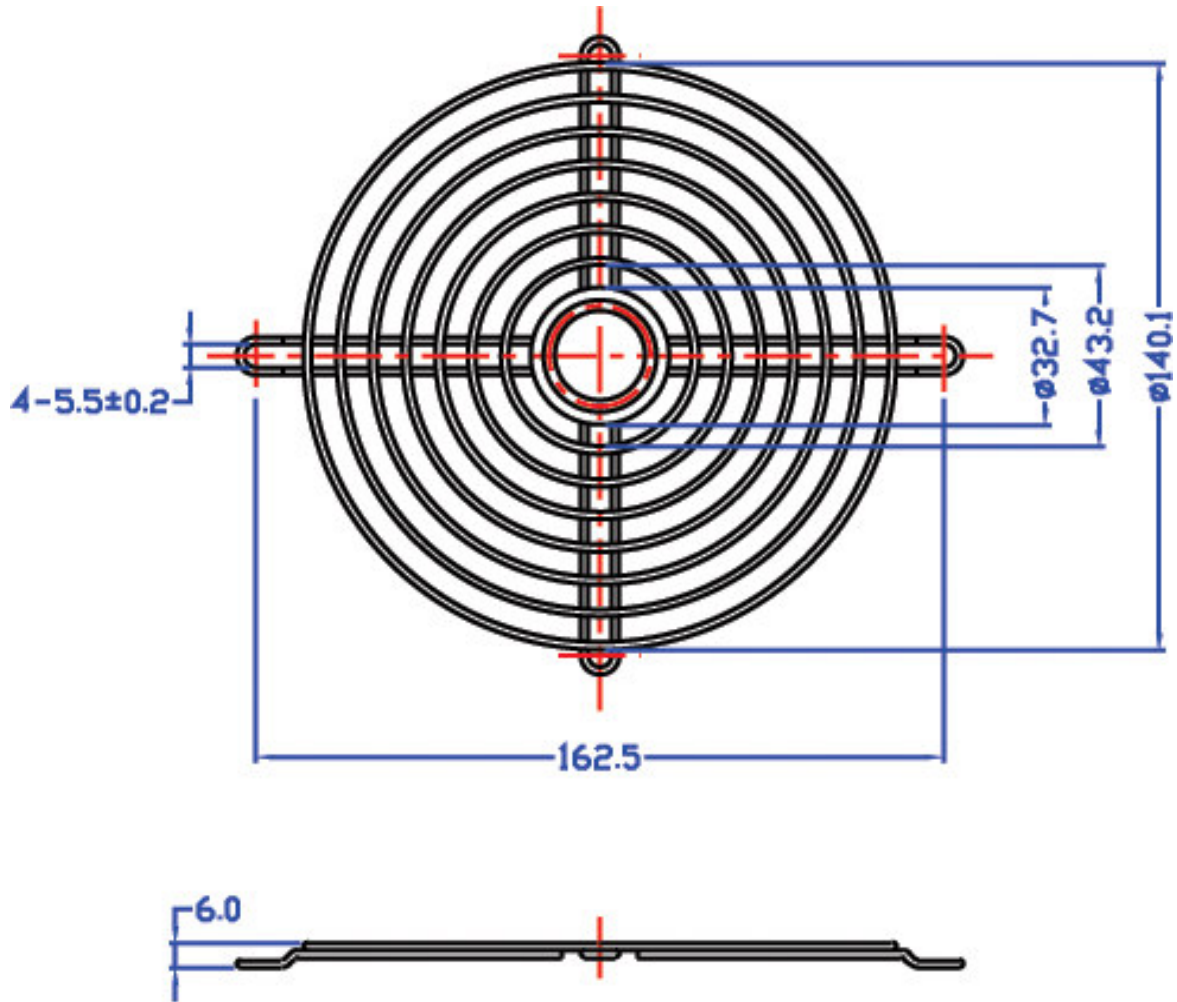


Pro-Crown International Co. Ltd.



NOTES:

1. MATERIAL: C1008 BRIGHT BASIC WIRE.
2. FINISH: BRIGHT NICKEL CHROME.
3. (1) RINGS ARE $\varnothing 1.8\text{mm}$.
(2) RIBS ARE $\varnothing 1.8\text{mm}$.
(3) DISC $t=0.8\text{mm}$.
4. WELD JOINTS TO WITHSTAND 88 LBS PULL FORCE.
5. SPACING BETWEEN RINGS TO BE EQUIDISTANT 5.98mm.
6. GENERAL TOLERANCE UNLESS NOTED: $\pm 0.5\text{mm}$.
7. PART MEETS $\varnothing 6.35\text{mm}$ PLUG GAUGE TEST.
8. UNIT: mm.