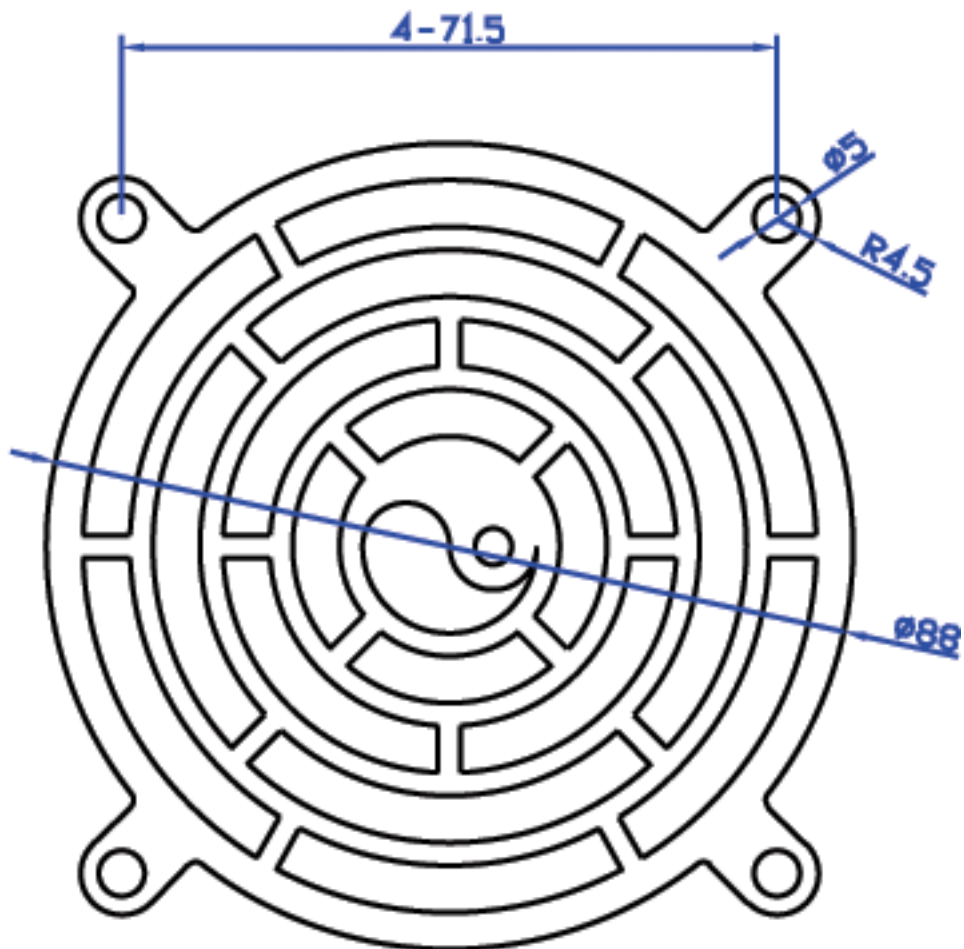


*Pro-Crown International Co. Ltd.*



NOTES:

1. MATERIAL: SPCC =1.0mm.
2. FINISH: BRIGHT NICKEL CHROME.
3. GENERAL TOLERANCE UNLESS NOTED:  $\pm 0.3\text{mm}$ ,  $R=1\text{mm}$ .
4. UNIT: mm.