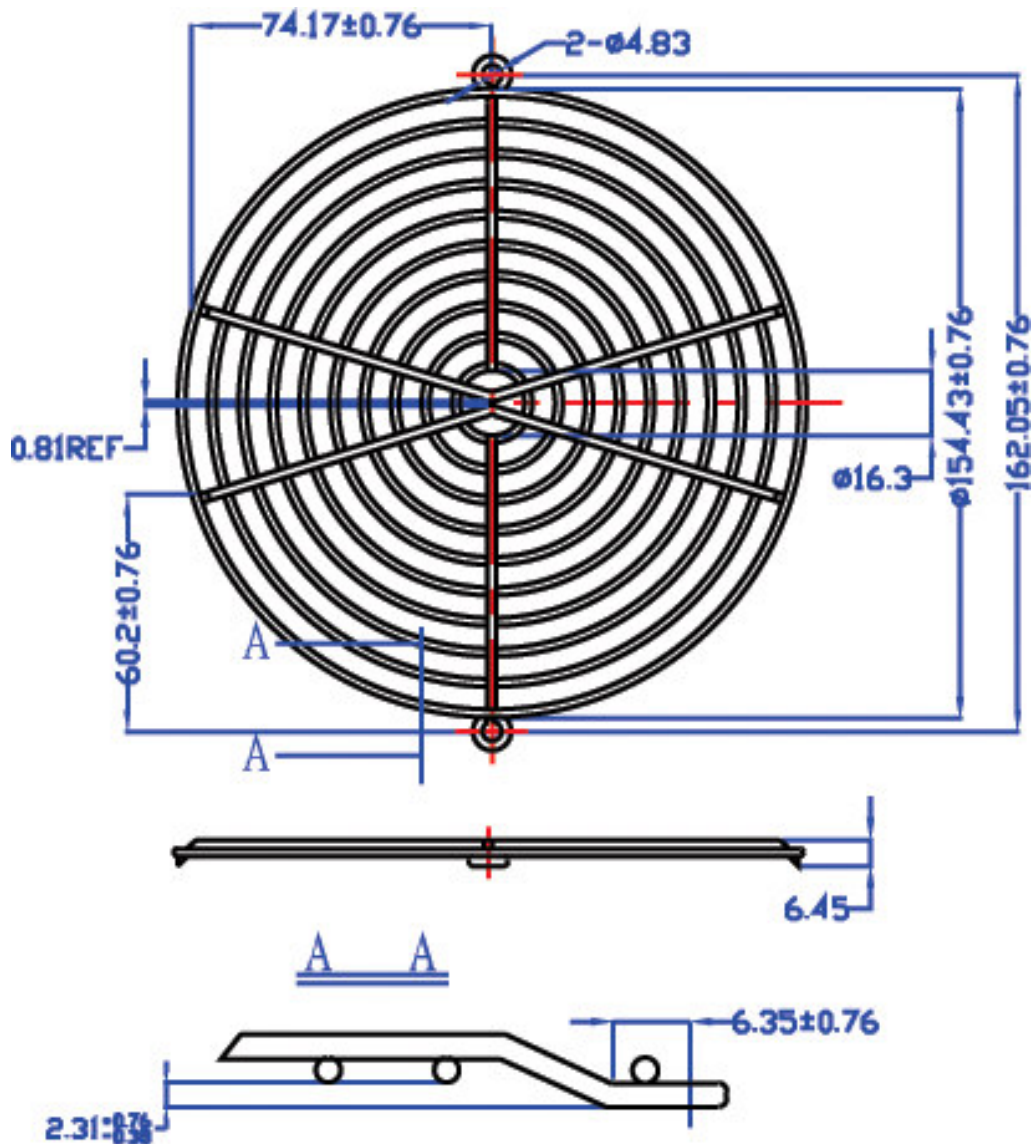


# Pro-Crown International Co. Ltd.



## NOTES:

1. MATERIAL: C1008 BRIGHT BASIC WIRE.
2. FINISH: BRIGHT NICKEL CHROME.
3. (1) RINGS ARE  $\phi 1.8$ mm.  
(2) RIBS ARE  $\phi 2.3$ mm.
4. WELD JOINTS TO WITHSTAND 88 LBS PULL FORCE.
5. SPACING BETWEEN RINGS TO BE EQUIDISTANT 5.67mm.
6. GENERAL TOLERANCE UNLESS NOTED:  $\pm 0.5$ mm.
7. PART MEETS  $\phi 6.35$ mm PLUG GAUGE TEST.
8. UNIT: mm.

