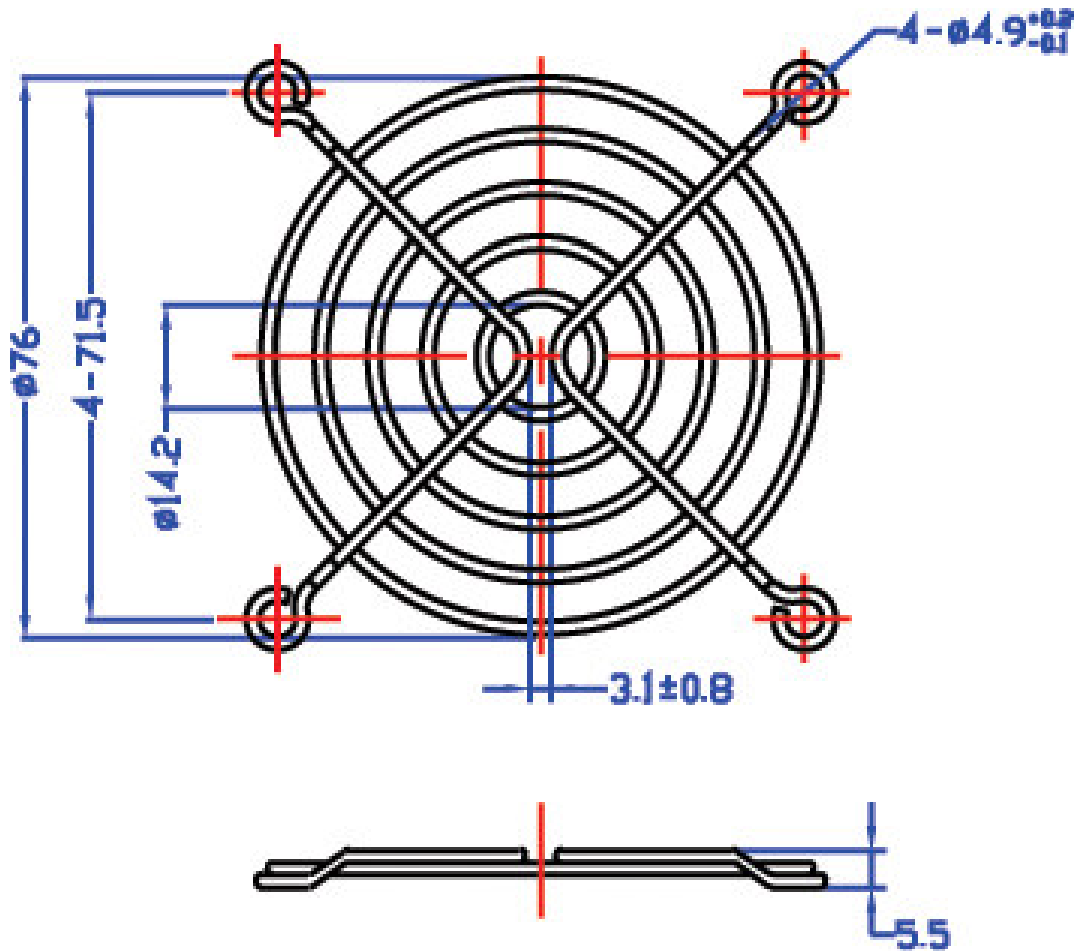


*Pro-Crown International Co. Ltd.*



NOTES:

1. MATERIAL: C1008 BRIGHT BASIC WIRE.
2. FINISH: (1) BRIGHT NICKEL CHROME PLATING.  
(2) BRIGHT GOLD PLATING.  
(3) BRIGHT BLACK NICKEL PLATING.
3. (1) RINGS ARE  $\phi 1.8\text{mm}$ .  
(2) RIBS ARE  $\phi 1.8\text{mm}$ .
4. WELD JOINTS TO WITHSTAND 88 LBS PULL FORCE.
5. SPACING BETWEEN RINGS TO BE EQUIDISTANT.
6. GENERAL TOLERANCE UNLESS NOTED:  $\pm 0.5\text{mm}$ .
7. PART MEETS  $\phi 6.35\text{mm}$  PLUG GAUGE TEST.
8. UNIT: mm.