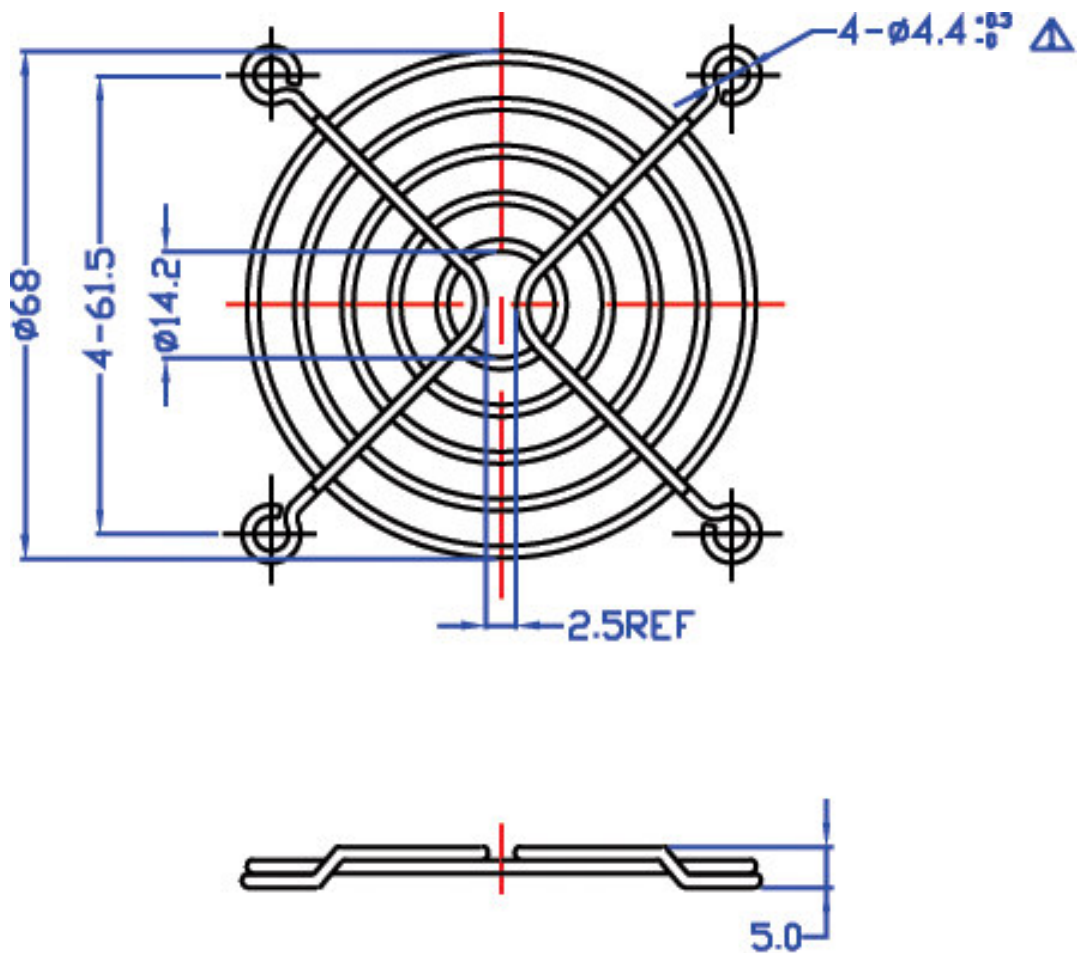


Pro-Crown International Co. Ltd.



NOTES:

1. MATERIAL: C1008 BRIGHT BASIC WIRE.
2. FINISH: BRIGHT NICKEL CHROME.
3. (1) RINGS ARE $\phi 1.6 \text{mm}$.
(2) RIBS ARE $\phi 1.6 \text{mm}$.
4. WELD JOINTS TO WITHSTAND 88 LBS PULL FORCE.
5. SPACING BETWEEN RINGS TO BE EQUIDISTANT 4.33mm .
6. GENERAL TOLERANCE UNLESS NOTED: $\pm 0.5 \text{mm}$.
7. PART MEETS $\phi 6.35 \text{mm}$ PLUG GAUGE TEST.
8. UNIT: mm .