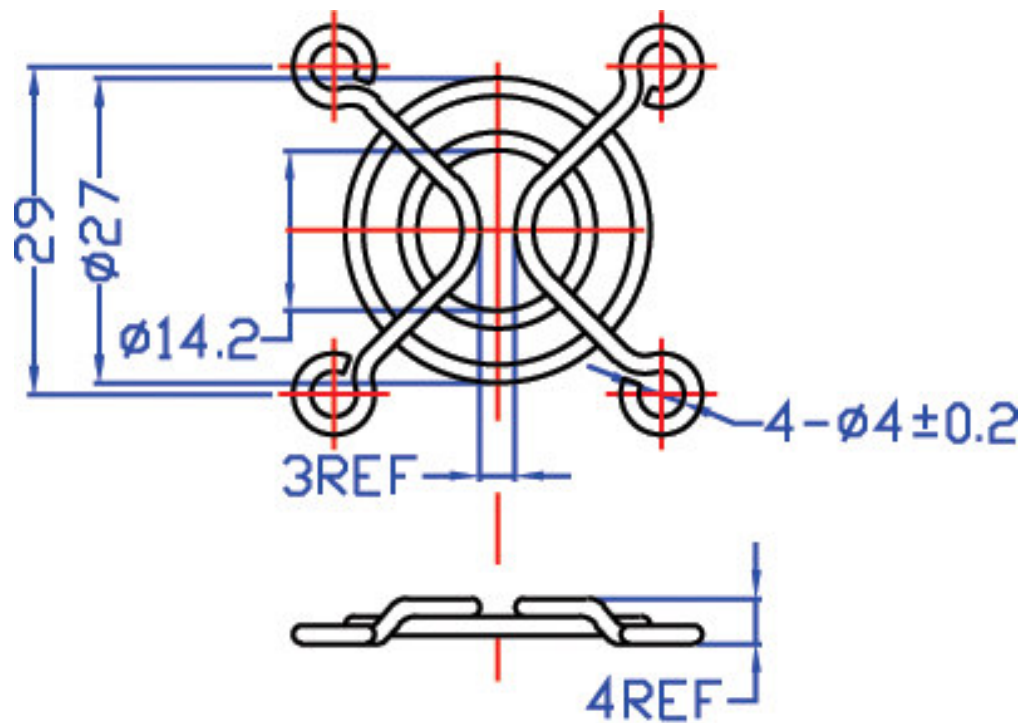


Pro-Crown International Co. Ltd.



NOTES:

1. MATERIAL: C1008 BRIGHT BASIC WIRE.
2. FINISH: BRIGHT NICKEL CHROME.
3. (1) RINGS ARE $\phi 1.6 \pm 0.05\text{mm}$.
(2) RIBS ARE $\phi 1.6 \pm 0.05\text{mm}$
4. GENERAL TOLERANCE UNLESS NOTED: $\pm 0.5\text{mm}$.
5. UNIT: mm.